



NORD EcoFresh Tank

DHW storage tanks with special anti-corrosion high-temperature ceramic enamel for superior water heating.



203l

291l



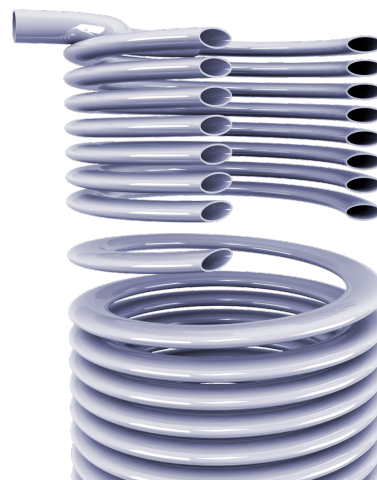
EXCHANGER OF A NEW DIMENSION

The elliptical exchanger's unique manufacturing process allows the tube to be flattened and wound while maintaining all of its structural, strength and performance characteristics.



SLIM STORAGE TANK DESIGN

The narrow shape of the tank was designed with space saving in mind to make the most of the limited space in the utility room.



TECHNOLOGY FOR MAXIMUM PERFORMANCE AND SAVINGS

The specially designed heat exchanger with an elliptical cross-section significantly increases the heat exchange surface compared to conventional storage tanks. This innovative solution, developed for use with NORD EcoHeat heat pumps and the NORD EcoControl energy management system, enables faster hot water production than other storage tanks of the same capacity.





TECHNICAL DATA

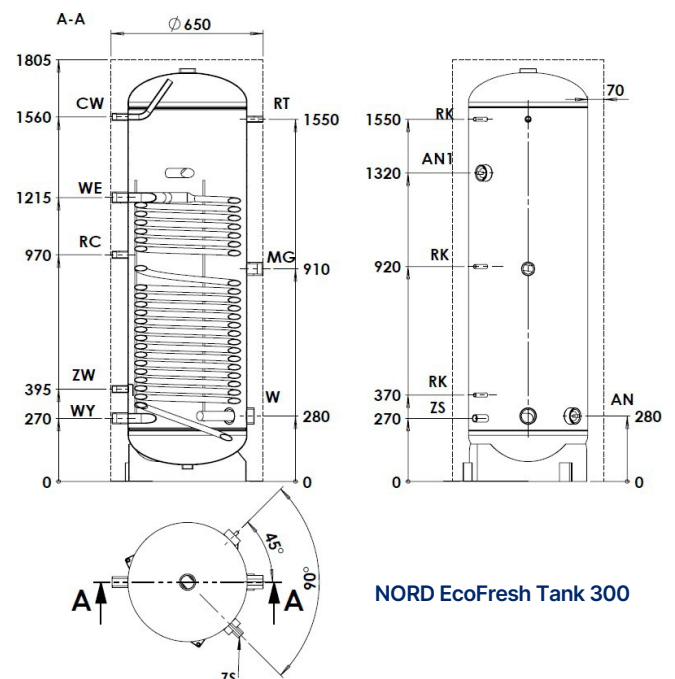
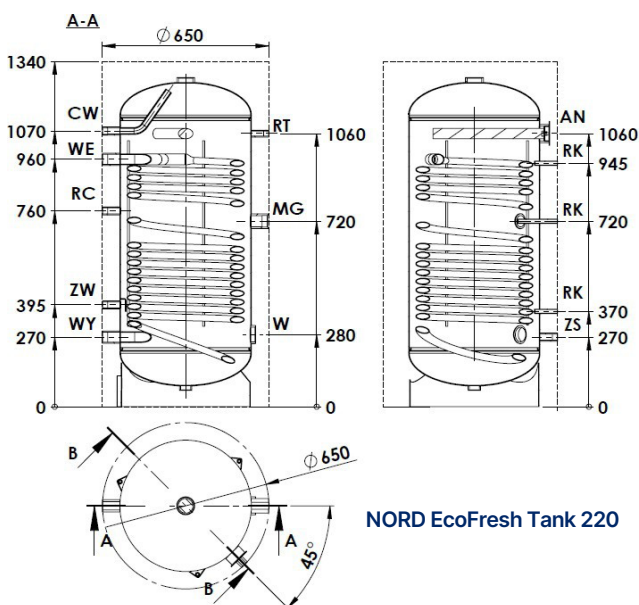
NORD EcoFresh Tank configuration options

NORD EcoFresh Tank	220	300	400
Usable volume [l]	203	291	415
Exchanger area [m ²]	2,6	3,8	8,1
Exchanger volume [l]	12,8	19,5	51,6
Hot water output* [l/h]			
80/10/45°C	1373	2068	?
70/10/45°C	1167	1757	6041
60/10/45°C	841	1266	?
55/10/45°C	454	684	3450
45/10/40°C	268	403	1700
Heating power* [kW]			
80/10/45°C	55,7	84,1	?
70/10/45°C	47,5	71,5	210,8
60/10/45°C	34,3	51,6	?
55/10/45°C	18,4	27,8	120,4
45/10/40°C	9,3	14,1	60
Hot water output* [l/h]			
80/10/60°C	746,3	1090,7	?
70/10/60°C	471,1	688,5	?
Heating power* [kW]			
80/10/60°C	43,4	65,4	?
70/10/60°C	27,4	41,2	?
Stop losses ** [W]	52	72	?
Pressure loss [mbar]	140	210	?
Tank operating parameters [dm ³]	Maximum operating pressure and temperature pr = 0.6 MPa tr = 80 °C		pr = 1,0 MPa tr = 90 °C
Parameters of heating medium [dm ³]	maximum operating pressure and temperature pr = 0.6 MPa tr = 110 °C		pr = 0,6 MPa tr = 100 °C
Order number	O-525-301	O-525-302	O-525-303

* 80°C, 70°C, 60°C, 55°C, 45°C - heating water temperature at the inlet to the heat exchanger
 10°C - drinking water temperature at the inlet to the storage tank
 60°C; 45°C; 40°C - DHW temperature

** in accordance with the applicable EU Commission Regulations 812/2013 and 814/2013.

TECHNICAL DOCUMENTATION NORD EcoFresh Tank



*Product is subject to development and innovation, some specifications may be subject to change without further notice.