



NORD EcoHeat Storage

With NORD EcoHeat Storage tanks, you can store excess green energy in the form of heat for later use.

EcoHeat Storage for storing excess energy ▶



THE WORLD'S CHEAPEST AND MOST RELIABLE „BATTERY“

Store electricity as heat in the world's cheapest „battery“, which acts as a hot water tank and offers unlimited cycles.



MORE EFFICIENT HEAT PUMP OPERATION

By putting the storage tank ahead of the heating circuits, your heat pump will start less often, extending its life. It will also help with defrosting and keep your heating system running smoothly.



BACKUP POWER SUPPLY FOR HEAT PUMP SUPPORT

By combining NORD EcoHeat Storage and the NORD EcoCoil heating coil, we can create a bivalent and backup source for your heating system.

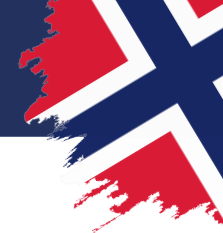


COOLING SUPPORT WITH ECOHEAT HEAT PUMP

NORD EcoHeat Storage storage tanks are equipped with a special insulation that allows them to be used with EcoHeat heat pumps to cool your home on summer days.

EcoHeat Storage - volume variants





TECHNICAL DATA

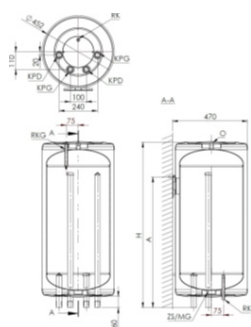
NORD EcoHeat Storage	3 / 50	6 / 100	8,5 / 150	15 / 250	25 / 400
Volume [l]	50	105	147	262	433
Electricity storage [kWh]	3	6	8,5	15	25
Height [mm]	625	1060	1400	1525	1728
Outer diameter [mm]	470	540	540	650	810
Weight [kg]	28	40	50	67	95
Thermal insulation	polyurethane foam	polyurethane foam	polyurethane foam	polyurethane foam	polyurethane foam
Thermal insulation thickness [mm]	25	70	70	70	100
Maximum operating pressure [MPa]	0,3	0,3	0,3	0,3	0,3
Maximum operating temperature [C°]	80	80	80	80	80
Ordering code	O-525-199	O-525-200	O-525-201	O-525-203	O-525-205

NORD EcoHeat Storage	28,5 / 500	48 / 800	58 / 1000	87 / 1500	116 / 2000
Volume [l]	500	800	1000	1500	2000
Electricity storage [kWh]	28,5	48	58	87	116
Height [mm]	2010	1995	2090	2400	2160
Outer diameter [mm]	810	990	1110	1210	1410
Weight [kg]	120	170	190	285	375
Thermal insulation	polyurethane foam	polyurethane foam	polyurethane foam	polyurethane foam	polyurethane foam
Thermal insulation thickness [mm]	100	100	100	100	100
Maximum operating pressure [MPa]	0,3	0,3	0,3	0,3	0,3
Maximum operating temperature [C°]	95	95	95	95	95
Ordering code	O-525-206	O-525-207	O-525-208	O-525-209	O-525-210

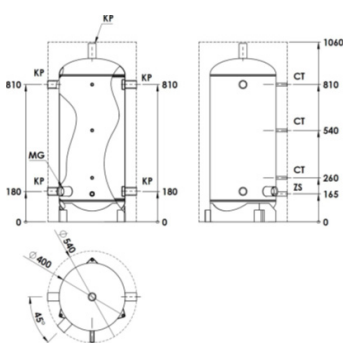
AVAILABLE ACCESSORIES

Recommended accessories: Ecoil Direct 1.15 / 1.20 / 3.45 / 3.60 R/C / 3.90R/C - Order. Number O-525-411 / O-525-412 / O-525-432 / O-525-436 / O-525-438

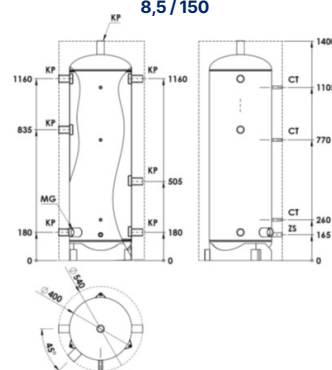
3 / 50



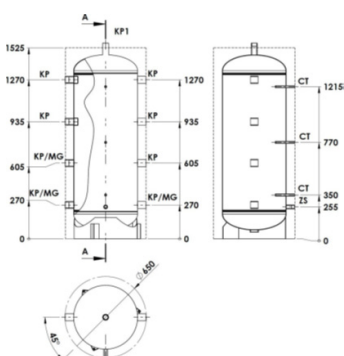
6 / 100



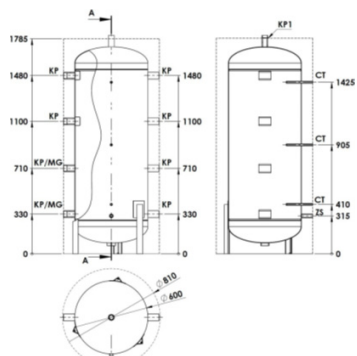
8,5 / 150



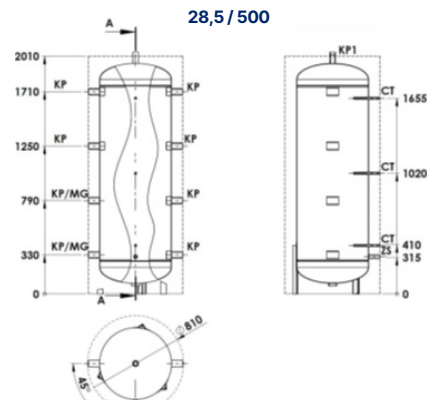
15 / 250



25 / 400



28,5 / 500



*Product is subject to development and innovation, some specifications may be subject to change without further notice.